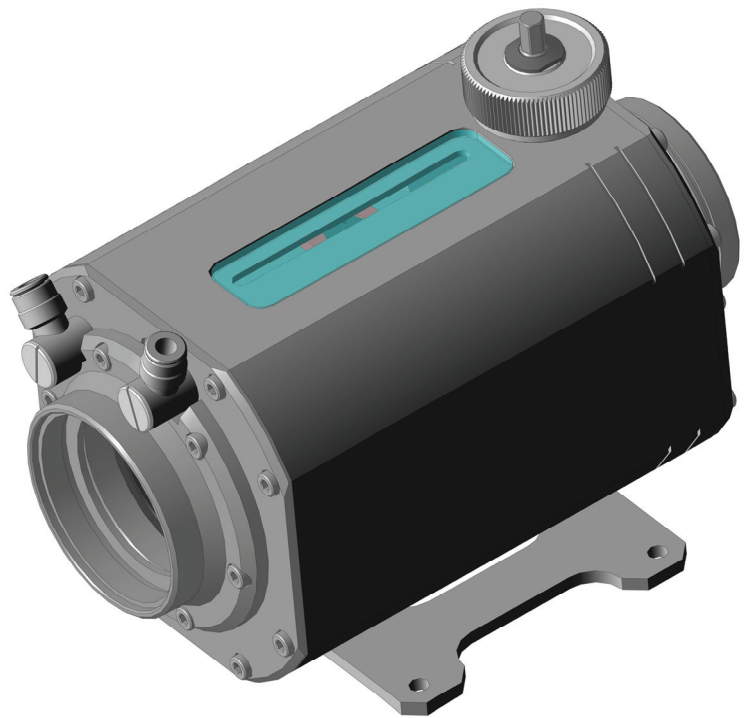


duoFokus 127/254_25_1070

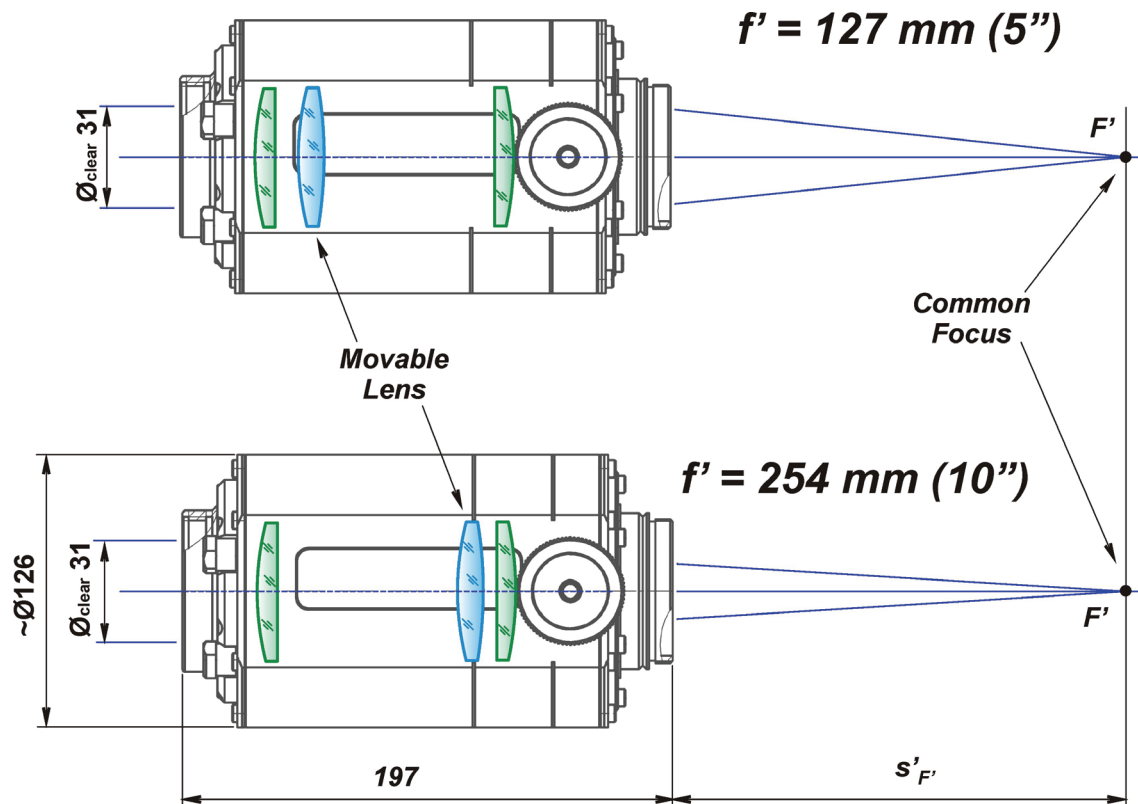
quasi zoom objective

focal length switching without dismantle



Industrial laser applications:

- Cutting
- Welding
- Cladding
- Micromachining



Specifications

Type	Dual Focus lens with common focal plane for high-power lasers	
Spectrum, nm	1030 - 1100	
Focal length / Working distance	f' , mm	$s'_{F'}$, mm
	127 (5")	168
	178 (7")	151
	254 (10")	168
Input beam diameter $1/e^2$, mm	<20	
Maximum clear aperture, mm	31	
Laser power	up to 3 kW (CW)	
Mounting	thread M58x1	
Diameter, mm	126	
Length, mm	197	
Other design features	<ul style="list-style-type: none"> - Common position of focuses for both focal lengths - $s'_{F'} = 168 \text{ mm}$ - Diffraction limited aberration correction - Switching between focal lengths through moving internal lens, without the objective dismantle - Other intermediate focal lengths are available with condition of focus shift, see above data for $f' = 178 \text{ mm (7'')}$ - Correction of focal shift by slight shift of the movable lens around its base position - Other combinations of magnifications on request - Design can be customized 	