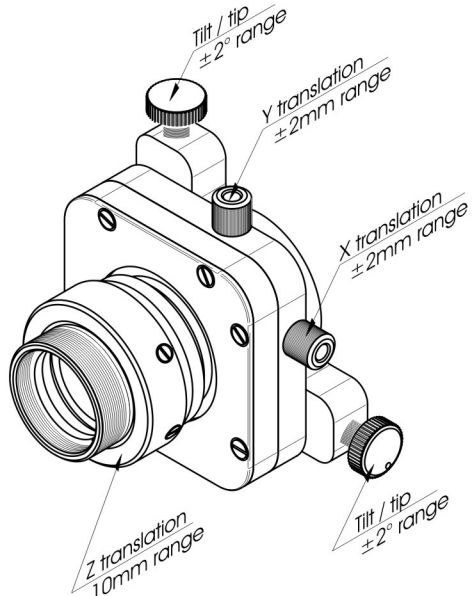


5-axis π Shaper Mount



Specification:

Tilting Range / Sensitivity	$\pm 2^\circ / 3 \text{ arcsec}$
XY translation Range / Sensitivity	$\pm 2 \text{ mm} / 1 \mu\text{m}$
Z translation Range	10 mm
Weight	0.6 kg

